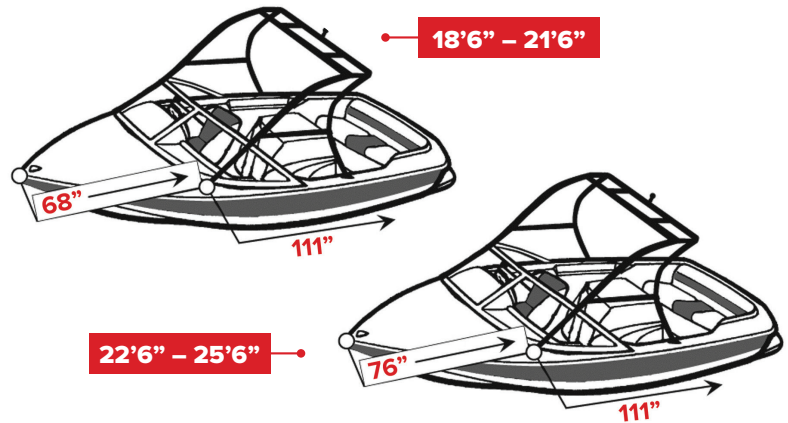




SPECIALTY COVERS FOR TOURNAMENT SKI BOATS WITH TOWER



PRODUCT FEATURES

- ▶ Two extra-long tower slots accommodate virtually any tower configuration.
- ▶ Tower slots are completely lined with marine-grade hook & loop fasteners to keep the boat fully protected.
- ▶ Unique styling conforms well to windshields.
- ▶ Suitable for trailering when properly tied down.
- ▶ Cover comes with heavy-duty boat cover tie-down kit, 2 rope ratchets and easy installation instructions.

Centerline	Beam	Inboard/Outdrive	Base #
18' 6"	90"	NTST-18	74518N
19' 6"	90"	NTST-19	74519N
20' 6"	92"	NTST-20	74520N
19' 6"	102"	TST-19	74519
20' 6"	102"	TST-20	74520
21' 6"	102"	TST-21	74521
22' 6"	102"	TST-22	74522
23' 6"	102"	TST-23	74523
24' 6"	102"	TST-24	74524
25' 6"	102"	TST-25	74525

Note: Coverage is not provided for swim platform.

Performance Poly-Guard®

- ▶ 8oz. 100% Marine Grade Polyester
- ▶ Highest tear strength available
- ▶ Excellent resistance to UV rays, fading and mildew
- ▶ Extremely water repellent and breathable
- ▶ Made in the USA
- ▶ *To order, add "P" and your color number to the end of the base part number.*



Sun-DURA®

- ▶ 7oz. 100% Solution Dyed Marine-Grade Polyester
- ▶ Superior resistance to UV rays, fading and mildew
- ▶ Exceptional water repellency
- ▶ Excellent resistance to overall wear-and-tear
- ▶ Proudly designed and sewn in the USA
- ▶ *To order, add "S" and your color number to the end of the base part number.*



#DXXX (11/20)

More Information at CarverCovers.com
or call (888) 48-COVER.

The Best Covers Under the Sun™